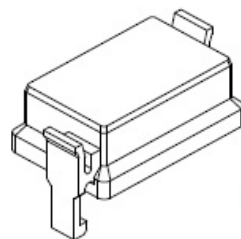
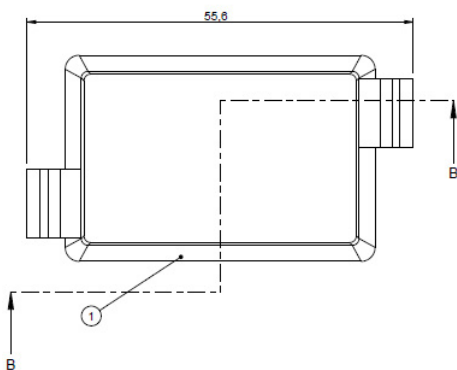
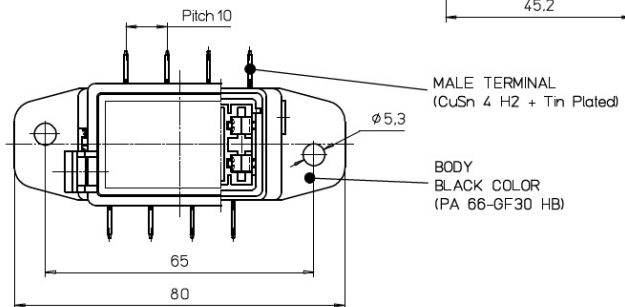
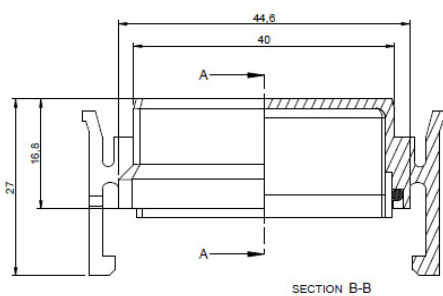
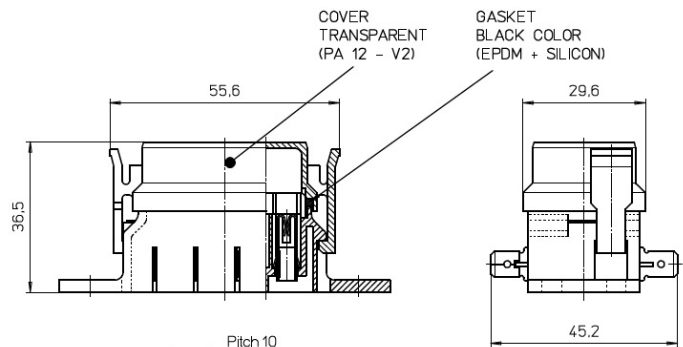


FU23

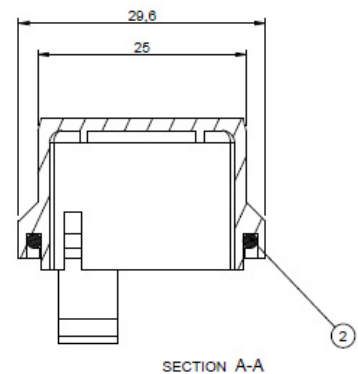
Blade Fuse Box (4 way) Side Entry

• Material:	Male Terminal: CuSn4 H2 + Tin Plated Body: Black PA 66-GD30 HB Cover: Transparent PA 12-V2 Gasket: Black EPDM + Silicone
• Temperature range:	-30°C to +100°C
• Max. continus (I):	recommended 80A total, 20A/way (application with current higher than the indicated one, have to verified and audited one by one.
• Dimensions:	W45.2mm x H36.5mmxL80mm ± 1mm
• Voltage (Max):	32 V



1. Cover
2. Gasket

ISOMETRIC VIEW
SCALE 1:1



The above information is given only as a guide, the user should ensure that the performance of the product is sufficient for application. The quoted values are average and should not be taken as maximum or minimum values for specific purposes. BEAL UK cannot be held responsible for product failure unless full testing has been carried out.